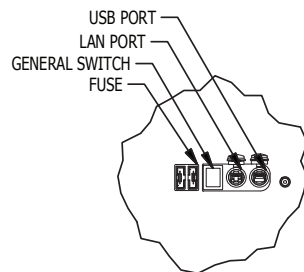
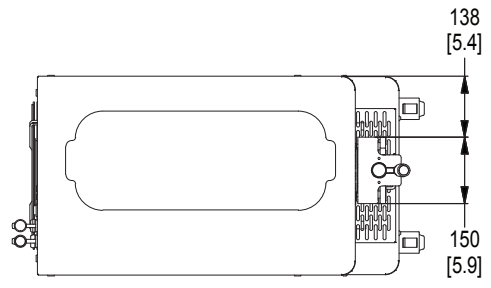
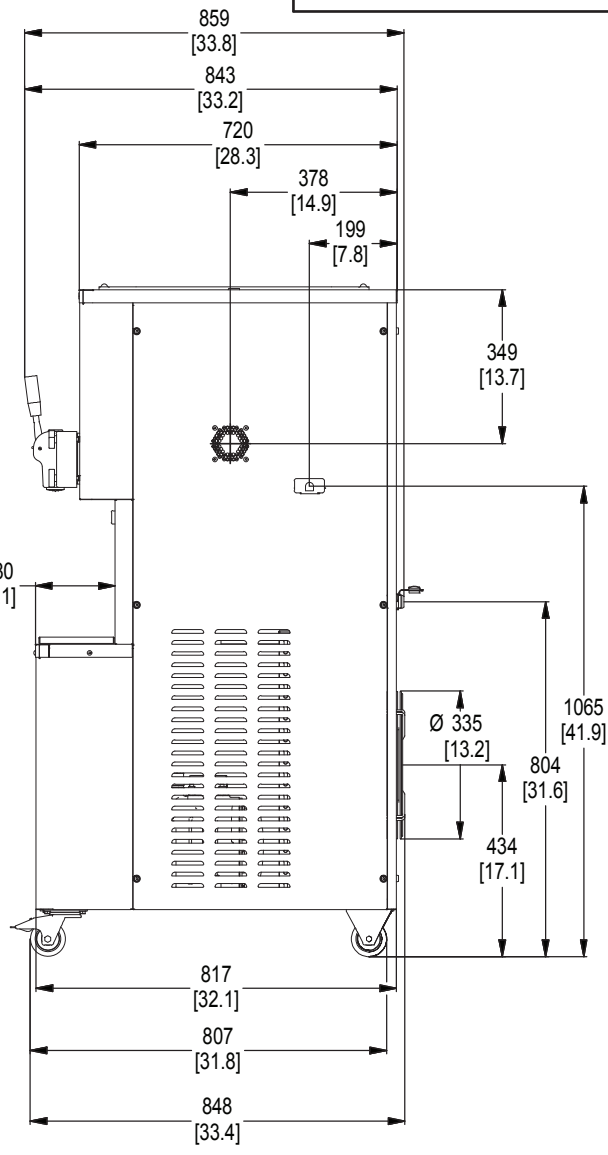
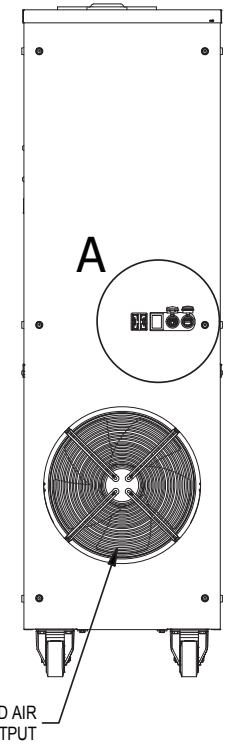
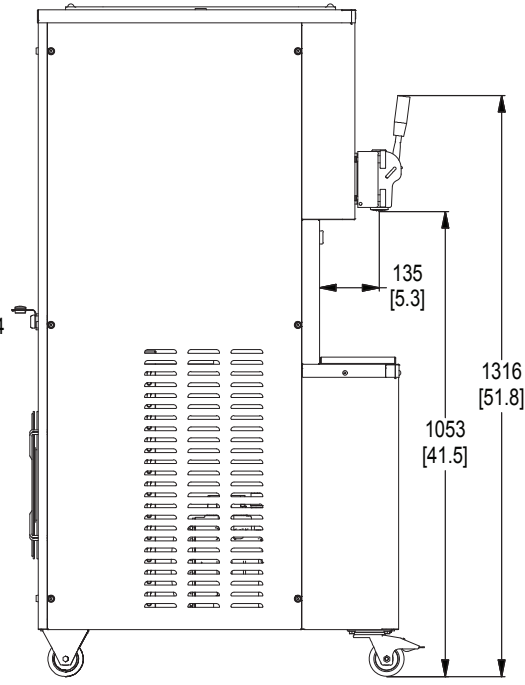
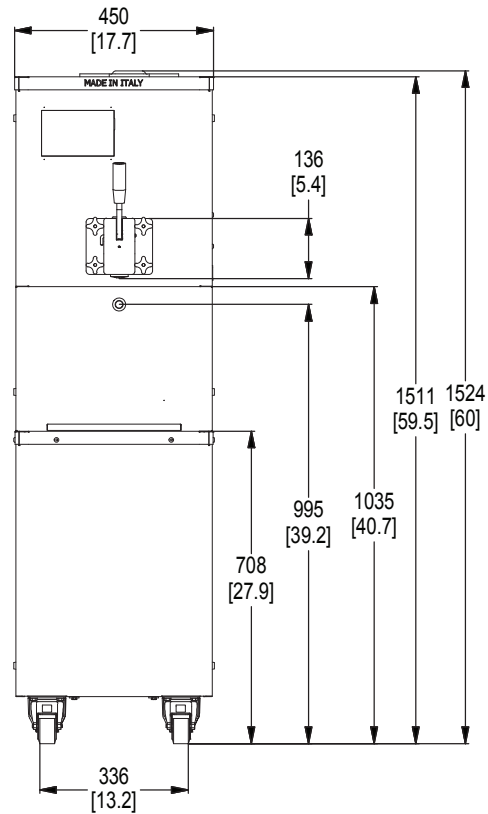
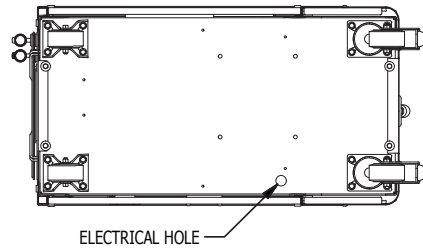


**MODEL: HV 153**  
**CONDENSATION: AIR**



A